

## ACCESORIES

# INDUSTRIAL HOSE REEL

## REEL-ALKA38150/300



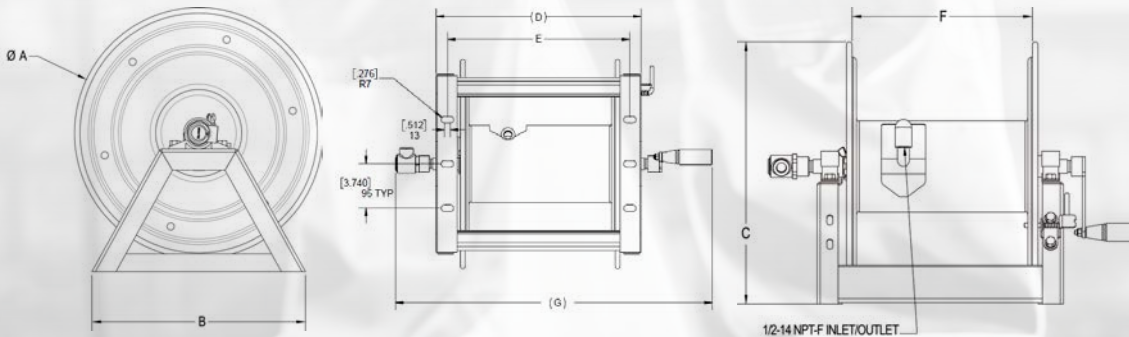
### SPECIFICATION

- Friction brake
- Direct hand-crank rewind with locking pin
- Solid Steel Construction
- Durable powdercoated finish
- Full flow swivel stainless swivel

| PART NUMBER            | REEL-ALKA38150 | REEL-ALKA38300 |
|------------------------|----------------|----------------|
| 3/8" Hose Capacity     | 150 ft.        | 300 ft.        |
| 5/8" Garden Hose Cap.  | N/A            | 225 ft.        |
| 3/4" Garden Hose Cap.  | N/A            | 175 ft.        |
| Swivel Pressure Rating | 5,000 PSI      |                |
| Inlet                  | 1/2" NPT-F     |                |
| Outlet                 | 1/2" NPT-F     |                |
| Max. Temp              | 300° F         |                |



### DIMENSIONS

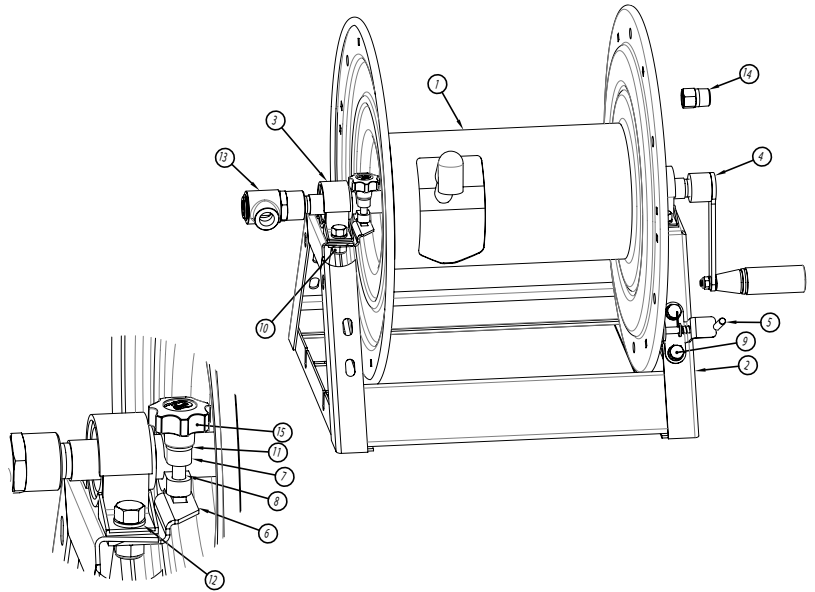


|                | Dimensions inches/mm |          |            |          |          |          |          |
|----------------|----------------------|----------|------------|----------|----------|----------|----------|
|                | A                    | B        | C          | D        | E        | F        | G        |
| REEL-ALKA38150 | 17.7/450             | 15.2/387 | 18.6/473.6 | 12.4/315 | 10.4/264 | 7.7/196  | 22.0/559 |
| REEL-ALKA38300 | 17,7/450             | 15.2/387 | 18.6/473.6 | 17.5/445 | 15.5/394 | 12.8/326 | 27.0/687 |

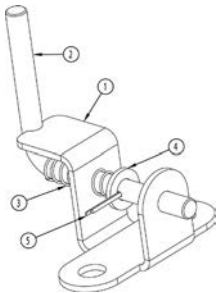
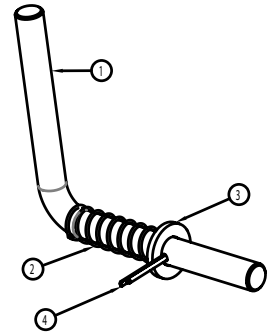


# PARTS LIST

| Item | Description                        | QTY |
|------|------------------------------------|-----|
| 1    | Assy, Hub & Flange, REEL-ALKA38300 | 1   |
|      | Assy, Hub & Flange, REEL-ALKA38150 |     |
| 2    | Frame, Hose Reel, REEL-ALKA38300   | 1   |
|      | Frame, Hose Reel REEL-ALKA38150    |     |
| 3    | Pillow Block                       | 2   |
| 4    | Assy, Crank                        | 1   |
| 5    | Assy, Lock Pin                     | 1   |
| 6    | Bracket, Brake                     | 1   |
| 7    | Brake                              | 1   |
| 8    | Bolt, M8                           | 1   |
| 9    | Bolt, M10                          | 6   |
| 10   | Nut, M10, Nylok, SST               | 6   |
| 11   | Washer, M8, SS                     | 1   |
| 12   | Washer, Flat, M10                  | 12  |
| 13   | Swivel                             | 1   |
| 14   | Fitting, 1/2NPT-MX3/8NPT-F         | 2   |
| 15   | Knob, Brake                        | 1   |
|      | REPAIR KIT                         |     |



| Lock Pin Repair Kit REEL-ALKA38150-2 |                     |      |
|--------------------------------------|---------------------|------|
| Item No.                             | Description         | QTY. |
| 1                                    | PIN, LOCK           | 1    |
| 2                                    | SPRING, LOCK PIN    | 1    |
| 3                                    | WASHER, M8, SS      | 1    |
| 4                                    | PIN, COTTER, 2 x 20 | 1    |



| Lock Pin Repair Kit with Bracket REEL-ALKA38150-1 |                   |      |
|---|-------------------|------|
| Item No.  | Description       | QTY. |
| 1   | Bracket, Lock     | 1    |
| 2   | Pin, Lock         | 1    |
| 3   | Spring, Lock Pin  | 1    |
| 4   | Washer, M8, SS    | 1    |
| 5   | Pin, Cotter, 2x20 | 1    |



**Alkota Cleaning Systems Inc.**  
Alcester, South Dakota 57001

**For more information call:**  
(800) 255-6823 / (605) 934-2222 or  
Fax: (800) 325-5682 / (605) 934-1808  
Web Access: [www.alkota.com](http://www.alkota.com)

## CERTIFICATIONS



© 2020 Alkota Cleaning Systems  
Specifications subject to change without notice  
Printed in U.S.A. / Form #: ALK-REELDHRA

Distributed by:

